
Small Frequency Converter

Operation Manual

220V 0.4KW - 5.5KW

400V 0.4KW - 11.0KW

- Please read this Manual carefully and understand the content, so as to correctly install and use the converter.
- Please give this Manual to the end user and properly keep it.
- The technical specifications of the converter is subject to change without prior notice.

2RI202230201-3.3 Version A
English

Starting date: February 1, 2023
Ref. No.: XM-H0125

V3.3

Solemn Statement

Thank you for using this frequency converter. Before use, please read this Manual carefully to familiarize yourself with the safety precautions of this product.

Safety Precautions:

1. Before wiring, please check whether the input power is off.
 2. The wiring should be carried out by professional electricians.
 3. The grounding terminal must be grounded.
 4. After the completing the emergency stop circuit wiring, please check whether the emergency stop action is effective.
 5. Do not connect the output line of the frequency converter to the housing. Do not short circuit the output line.
 6. Please confirm whether the voltage of the AC main circuit power supply is consistent with the rated voltage of the converter.
 7. Do not carry out voltage resistance test on the frequency converter.
 8. Please connect the brake resistor according to the wiring diagram.
 9. Do not connect the power cord to the output terminals U, V and W.
 10. Do not connect the contactor to the output circuit.
 11. Be sure to install the protective housing before powering on. Be sure to disconnect the power supply before removing the housing.
 12. Do not place the frequency converter with reset retry function near the mechanical equipment. Because it will suddenly restart when the alarm stops.
 13. It can alarm and reset only after confirming that the running signal is cut off. If it alarms and resets in the running signal state, the frequency converter may start suddenly.
 14. Do not touch the terminal of frequency converter. There is high voltage on the terminal, which is very dangerous.
 15. Do not change wiring and disassemble terminals during power-on.
 16. The inspection and maintenance should be carried out after the main circuit power supply is cut off.
 17. Please do not modify the frequency converter without permission.
-

1. Technical data

Rated data of frequency converter

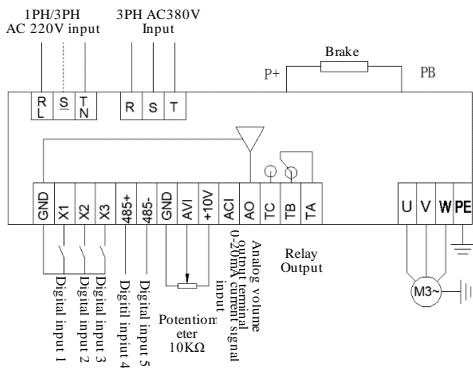
Model	Power	Input power	Output power (A)	Dimensions L×W×H (mm)	Mounting size L×W - Mounting screws (mm)	
0.4S1-220V	0.4KW	Single-phase AC 200V-240V 50Hz/60Hz	2.1	170*79*127	160*60.5-M5	
0.75S1-220V	0.75KW		3.8			
1.5S1-220V	1.5KW		7			
2.2S1-220V	2.2KW		9.0	187*86*144		173*68-M4
3.0S1-220V	3.0KW		13	216*101*151		204*83.5-M4
4.0S1-220V	4.0KW		15	237*111*168		216*88-M4
5.5S1-220V	5.5KW		20			
0.4S3-220V	0.4KW	Three-phase AC 200V-240V 50Hz/60Hz	2.1	170*79*127	160*60.5-M5	
0.75S3-220V	0.75KW		3.8			
1.5S3-220V	1.5KW		7			
2.2S3-220V	2.2KW		9.0	187*86*144		173*68-M4
3.0S3-220V	3.0KW		13	216*101*151		204*83.5-M4
4.0S3-220V	4.0KW		15	237*111*168		216*88-M5
5.5S3-220V	5.5KW		20			
0.4G3-380V	0.4KW	Three-phase AC 340V-440V 50Hz/60Hz	1.5	170*79*127	160*60.5-M5	
0.75G3-380V	0.75KW		2.1			
1.5G3-380V	1.5KW		3.8			
2.2G3-380V	2.2KW		5.1	187*86*144		173*68-M4
3.0G3-380V	3.0KW		7.1	216*101*151		204*83.5-M4
4.0G3-380V	4.0KW		9.0			
5.5G3-380V	5.5KW		12.6			
7.5G3-380V	7.5KW		16.1	237*111*168		216*88-M5
11.0G3-380V	11.0KW		25.0	249*143*172		237*130-M5

Selection of braking resistor

Model	Power	Input power	Power of braking	Resistance value of braking resistor
0.4S1-220V	0.4KW	Single-phase AC	100 W	250 Ω
0.75S1-220V	0.75KW		100 W	200 Ω

1.5S1-220V	1.5KW	200V-240V 50Hz/60Hz	300 W	100 Ω
2.2S1-220V	2.2KW		300 W	100 Ω
4.0S1-220V	4.0KW		1000 W	75 Ω
5.5S1-220V	5.5KW		1000 W	75 Ω
0.4S3-220V	0.4KW	Three-phase AC 200V-240V 50Hz/60Hz	100 W	250 Ω
0.75S3-220V	0.75KW		100 W	200 Ω
1.5S3-220V	1.5KW		300 W	100 Ω
2.2S3-220V	2.2KW		300 W	100 Ω
4.0S3-220V	4.0KW		500 W	75 Ω
5.5S3-220V	5.5KW		1000 W	75 Ω
0.4G3-380V	0.4KW		100 W	750 Ω
0.75G3-380V	0.75KW		100 W	750 Ω
1.5G3-380V	1.5KW		300 W	400 Ω
2.2G3-380V	2.2KW	300 W	250 Ω	
4.0G3-380V	4.0KW	340V-440V 50Hz/60Hz	500 W	150 Ω
5.5G3-380V	5.5KW		800 W	100 Ω
7.5G3-380V	7.5KW		1000 W	75 Ω
11.0G3-380V	11.0KW		1200 W	50 Ω

2. Installation and wiring



Purpose of the terminals

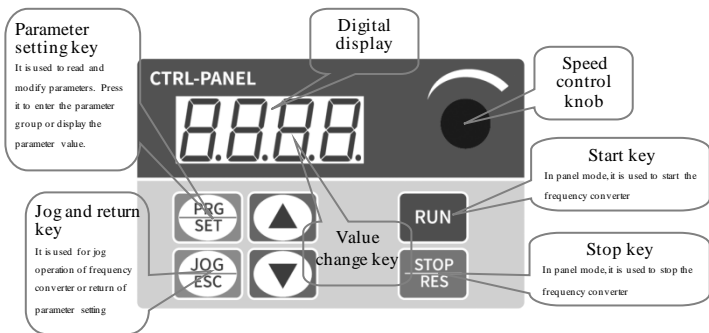
Terminal	Purpose	Design description
----------	---------	--------------------

R, S, T	Converter power supply: 380V converter is to connect R, S, T 220V converter is to connect R, S or R, T (according to the terminal label)	The front end of the input power supply of the converter should use the air switch as the overcurrent protection device. If the leakage protection switch is added, in order to prevent the misoperation of the leakage switch, please select the equipment with a sensitivity of more than 200mA and an operation time of more than 100ms.
U, V, W	Converter output, to connect the motor	In order to reduce leakage current, the motor connection line should not exceed 50 meters.
PE	Grounding	Frequency converter should be well grounded.
X1	Digital input X1	Set by parameter F5.02, the factory default is forward
X2	Digital input X2	Set by parameter F5.03, the factory default is reverse
X3	Digital input X3	Set by parameter F5.04, the factory default is multi-speed first
X4	Digital input X4	Set by parameter F5.05, the factory default is multi-speed second
X5	Digital input X5	Set by parameter F5.06, the factory default is external reset signal input
GND	Signal common terminal	Zero potential of input and output signal
AVI	0-10 signal input	0-10V
10V	Power supply for frequency setting potentiometer	+10V, 10mA Max
ACI	4-20 mA analog input	4-20mA

AO	Analog output signal	Set by parameter F6.10
TA, TB, TC	Relay output	Set by parameter F5.07 Contact capacity: AC 250V/3A DC 24V/2A

3. Commissioning and operating

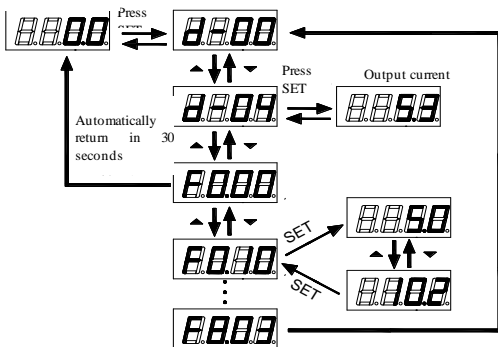
(1) Operation panel and operation method



Method of returning to the original interface after setting parameters:

1. Power off and then power on again.
2. Select d-00 and press SET.
3. Longpress the SET key.

Output frequency displayed
when power-on



(2) Set the run command mode of frequency

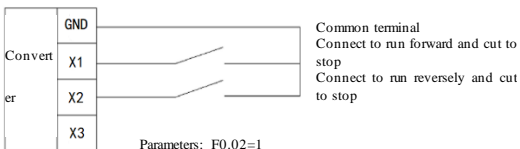
The run command mode of frequency converter is set by parameter F0.02: There are two start-stop modes: panel control start-stop mode and terminal control start-stop mode

:

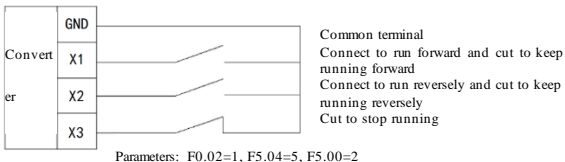
- (1) **Panel control start-stop mode:** (Factory setting for panel start-stop is F0.02=0)

To use the panel control start-stop frequency converter, press the green button on the panel to start, and the red button to stop. The converter starts with forward run by default, and the forward or reverse run needs to be set through the input terminal X1-X5 (the reverse setting is 4).

- (2) **Terminal control start-stop mode:** (Factory setting for terminal start-stop is F0.02=1)



Two-wire control mode 1



Three-wire control mode 1

(3) Selection of frequency setting mode of

The frequency setting mode of the converter is set by parameter F0.03. When F0.03=4, the running frequency is set by potentiometer; When F0.03=2, the running frequency is input by AVI (0-10V potentiometer can be connected externally); When F0.03=3, the running frequency is input by ACI (4-20mA); When F0.03=1, it is controlled by the external terminal (the switching value is set to be increasing/decreasing frequency).

4. Table of parameters

Parameters	Name	Factory default value	Setting range	Description
Group F0 - Basic running parameters				
F0.00	Converter power	Based on the model	0.0-99.9kw	Current converter power
F0.01	Control mode	0	0-1	0: V/F control 1: open-loop vector
F0.02	Run command selection	0	0-1	0: Panel run command 1: Terminal run command
F0.03	Primary frequency source X selection	4	0-7	0: Digital setting (preset frequency F0-07, UP/DOWN, modifiable according to the value of F0-07, no memory of power failure) 1: Digital setting (preset frequency F0-07, UP/DOWN, modifiable according to the value of F0-07, memory of power failure) 2: AI1(AVI) 3: AI2(ACI) 4: AI3 (keyboard potentiometer) 5: Multi-speed instruction 6: Simple PLC 7: PID
F0.04	Auxiliary frequency source Y selection	0	0-7	Same as F0.03
F0.05	Operation of primary and auxiliary frequencies	0	0-3	0: primary + auxiliary 1: primary - auxiliary 2: greater of the two values 3: smaller of the two values
F0.06	Frequency source selection	0	0-4	0: Primary frequency source X 1: Operation result of primary and auxiliary frequencies (determined by operation F0.05)

Parameter s	Name	Factory default value	Setting range	Description
				2: switch between primary frequency source X and auxiliary frequency source Y 3: switch between primary frequency source X and operation result of primary and auxiliary frequencies 4: switch between auxiliary frequency source Y and operation result of primary and auxiliary frequencies
F0.07	Frequency digit setting	50.00Hz	0- Maximum frequency	The set value is the given initial value of the frequency digit
F0.08	Maximum output frequency	50.00Hz	Upper limit frequency - 400.0Hz	The maximum output frequency is the maximum frequency allowed by the converter, which is the benchmark for acceleration/deceleration setting.
F0.09	Upper limit frequency	50.00Hz	Lower limit frequency Maximum output frequency	The running frequency cannot exceed such frequency
F0.10	Lower limit frequency	0.00Hz	0- Upper limit frequency	The running frequency cannot be lower than such frequency
F0.11	Treatment when reaching the lower limit frequency	0	0-2	0: Zero-speed running 1: Run at the lower limit frequency 2: Shut down
F0.12	First acceleration time	10.0s	0.1~999.9s	Time required for the converter to accelerate from zero to maximum output frequency
F0.13	First deceleration time	10.0s	0.1~999.9s	Time required for the converter to decelerate from maximum output frequency to zero
F0.14	Running direction	0	0-2	0: forward, 1: reverse, 2: reverse prohibition This selection between forward and reverse is valid only when the

Parameter s	Name	Factory default value	Setting range	Description
				command comes from the panel. The reverse prohibition is valid no matter where the command comes from.
F0.15	User password	0	0~9999	The password takes effect when a non-zero digit is set. If 0000 is set after decryption, the password function is disabled.
F0.16	Software version	xx.xx	01.00-99.99	Current software version. (Some parameters in this Manual match software versions after 2.35)
F0.17	Parameter initialization	0	0-3	0: no operation 1: Restore factory default value (excluding motor parameters) 2: Fault clearing 3: Restore all parameters to factory default values (including motor parameters)
F0.18	Frequency decimal point	2	1~2	
F0.19	Retain			
F0.20	Holding of digital set stop	1	0~1	0: No hold 1: Hold
F0.21	Retain			
Group F1 - V/F control parameter				
F1.00	V/F curve setting	0	0-6	0: Linearity curve 1: Square curve 2: 1.5 power curve 3: 1.2 power curve 4: Multi-point VF curve 5: VF complete separation 6: VF semi-separation
F1.01	Torque lift	3.0%	0.0~30.0%	Manual torque lift. This value is set as a percentage of the rated voltage of the motor. If it is 0, it will be switched to

Parameter s	Name	Factory default value	Setting range	Description	
				automatic torque lift.	
F1.02	Torque lift cutoff frequency	50.00Hz	0.0~50.00Hz	The cutoff frequency of manual torque lift	
F1.03	Carrier frequency setting	Based on the model	2.0~16.0KHz	Raising the carrier frequency can reduce the noise, but it will increase the calorific value of the converter.	
F1.04	V/F frequency value F1	12.50Hz	0.01 ~ frequency value F2	<p>电压 Voltage of Rated voltage of motor</p> <p>最大输出频率 频率</p> <p>Maximum output frequency Frequency</p>	
F1.05	V/F voltage value V1	25.0 %	0.0 ~ voltage value V2		
F1.06	V/F frequency value F2	25.00Hz	Frequency value F1 ~ frequency value F3		
F1.07	V/F voltage value V2	50.0 %	Voltage value V1 ~ voltage value V3		
F1.08	V/F frequency value F3	37.50Hz	Frequency value F2 ~ motor rated frequency		
F1.09	V/F voltage value V3	75.0 %	Voltage value V2 ~ 100.0 % (motor rated voltage)		
F1.10	Torque lifting mode	3	0~3		
F1.11	Braking ratio	90%	0~100%		Braking ratio of braking resistor
F1.12	Torque compensation gain	0%	0~150%		

Parameters	Name	Factory default value	Setting range	Description
F1.13	VF overexcitation gain	25%	0~200%	
F1.14	Oscillation suppression mode	5	0~6	
F1.15	VF separated voltage source	0	0~9	
F1.16	VF separated voltage source digit setting	0	0 ~ motor rated voltage	
F1.17	VF separated voltage rising time	0.0	0.0~1000.0	
F1.18	VF separated voltage decelerating time	0.0	0.0~1000.0	
F1.19	VF separation stop mode selection	0	0~1	
F1.20	VF separation current closed loop control setting	100	0 ~ current limiting level	
F1.21	Retain			
Group F2 - Vector control parameter				
F2.00	Velocity loop low speed Kp	20	1~100	
F2.01	Velocity loop low speed Ki	0.50	1~10.00	
F2.02	Velocity loop high speed Kp	10	1~100	
F2.03	Velocity loop high speed Ki	1.00	1~10.00	
F2.04	Velocity loop	10.00Hz	Lower limit	

Parameters	Name	Factory default value	Setting range	Description
	low speed frequency calculation switch point		frequency ~ Maximum frequency	
F2.05	Velocity loop high speed frequency calculation switch point	30.00Hz	Lower limit frequency ~ Maximum frequency	
F2.06	Motor slip compensation gain	0%	0~100.0%	
F2.07	Retain			
F2.08	Retain			
F2.09	Retain			
F2.10	Current loop Kp	2000	0~60000	
F2.11	Current loop Ki	1300	0~60000	
F2.12	Retain			
F2.13	Retain			
F2.14	Open-loop vector slip compensation gain	100%	0~200%	
F2.15	Retain			
F2.16	Retain			
F2.17	Retain			
F2.18	Retain			
F2.19	Speed control (drive) torque upper limit	150.0%	0~200.0%	

Parameters	Name	Factory default value	Setting range	Description
	digit setting			
F2.20	Maximum torque coefficient in field-weakening region	100%	50~200%	
F2.21	M-axis current loop scale coefficient	5	5~300	
F2.22	M-axis current loop integral coefficient	0	0~65535	
F2.23	Open-loop vector velocity loop filtering time constant	25	0~100	
F2.24	Open-loop vector torque lift	100	0~500	
F2.25	Open-loop vector torque lift cutoff frequency	20.00Hz	Lower limit frequency ~ Maximum frequency	
F2.26	Torque set filter	28	0~31	
F2.27	Maximum field-weakening voltage overmodulation coefficient	105%	0~110%	
F2.28	Flux observation compensation coefficient	100%	0~100%	
F2.29	Flux observation filter coefficient	300	0~2000	

Parameter s	Name	Factory default value	Setting range	Description
F2.30	T-axis current closed-loop coefficient	0	0~500	
F2.31	Torque limiting mode	0	0~1	
F2.32	Retain			
F2.33	Retain			
Group F3 - Auxiliary running parameters				
F3.00	Starting mode	0	0-1	0: Start by the start-up frequency 1: Start by the start-up frequency after DC braking
F3.01	Start-up frequency	0.50Hz	0.50~20.00Hz	Initial frequency at which the converter is started
F3.02	Start-up frequency holding time	0	0.0~60.0s	Start-up frequency running time
F3.03	Start DC braking current	0.0%	0.0~100%	Value of the current that applies DC braking When the rated current of the motor is less than or equal to 80% of the rated current of the frequency converter, the current value is the percentage base value relative to the rated current of the motor; When the rated current of the motor is more than 80% of the rated current of the frequency converter, the current value is the percentage base value relative to 80% of the rated current of the frequency converter.
F3.04	Start DC braking time	0.0s	0.0~60.0s	Duration that applies DC braking
F3.05	Stop mode	0	0~2	0: Stop in deceleration mode, 1: Stop in deceleration mode + DC braking

Parameter s	Name	Factory default value	Setting range	Description
				2: Stop in free mode
F3.06	Starting frequency of stop DC braking	0.00Hz	0.00 ~ Upper limit frequency	DC braking starts when the frequency reaches the preset frequency
F3.07	Stop DC braking current	0.0%	0.0~100%	Value of the current that applies DC braking Same as the start DC braking
F3.08	Stop DC braking time	0.0s	0.0~30.0s	Duration that applies DC braking
F3.09 ~ F3.15	Retain			
F3.16	Function of STOP/RESET key	1	0-1	0: No state 1: Enabled in any situation
Group F4 - Auxiliary running parameters 2				
F4.00	Forward jog frequency setting	10.00Hz	0.00~50.00Hz	To set forward and reverse jog frequency
F4.01	Reverse jog frequency setting			
F4.02	Jog acceleration time	Based on the model	0.1~999.9s	To set jog acceleration/deceleration time
F4.03	Jog deceleration time			
F4.04	Second acceleration time	10.0s	0.1~999.9s	
F4.05	Second deceleration time	10.0s	0.1~999.9s	
F4.06	Multi-function	1	0~3	0: Void

Parameters	Name	Factory default value	Setting range	Description
	button			1: When the frequency converter is running, the jog priority is the highest 2: Reverse running 3: Switch between forward and reverse
F4.07	Hopping frequency	0.00Hz	0.0 ~ Upper limit frequency	By setting the hopping frequency and range, the frequency converter can avoid the mechanical resonance point of the load.
F4.08	Hopping range	0.00Hz	0.0~10.0Hz	
F4.09	Hopping frequency 2	0.00Hz	0.0 ~ Upper limit frequency	
F4.10	Hopping range 2	0.00Hz	0.0~10.0Hz	
F4.11	Hopping frequency 3	0.00Hz	0.0 ~ Upper limit frequency	
F4.12	Hopping range 3	0.00Hz	0.0~10.0Hz	
F4.13	Hopping frequency 4	0.00Hz	0.0 ~ Upper limit frequency	
F4.14	Hopping range 4	0.00Hz	0.0~10.0Hz	
F5 group - digital input and output parameters				
F5.00	FWD/REV Terminal control mode	0	0-3	0: Two-wire control mode 1 1: Two-wire control mode 2 2: Three-wire control mode 1 3: Three-wire control mode 2
F5.01	Terminal function test when power on	0	0-1	0: Terminal run command is invalid when power on 1: Terminal run command is valid when power on
F5.02	Input terminal X1 function	3	0~27	0: No function 1: Forward jog control 2: Reverse jog control 3: Forward control (FWD)
F5.03	Input terminal X2 function	4	0~27	

Parameters	Name	Factory default value	Setting range	Description
F5.04	Input terminal X3 function	12	0~27	4: Reverse control (REV) 5: Three-wire running control
F5.05	Input terminal X4 function	13	0~27	6: Free stop control 7: External stop signal input (STOP) 8: External reset signal input (RST) 9: External fault normally open input 10: Frequency up command (UP) 11: Frequency down command (DOWN) 12: Multi-speed selection S1 13: Multi-speed selection S2 14: Multi-speed selection S3 15: The run command channel is forced to be the terminal
F5.06	Input terminal X5 function	8	0~27	16: Retain 17: Stop DC braking command 18: Frequency source switch (F0.06) 19: Retain 20: Retain 21: Retain 22: Counter reset signal (Fb.10 counting function) 23: Counter trigger signal (Fb.10 counting function) 24: Timer reset signal (Fb.10 timing function) 25: Timer trigger signal (Fb.10 timing function) 26: Acceleration/deceleration time selection (switch between acceleration/deceleration time 1 and acceleration/deceleration time 2)
F5.07	Relay R output function setting	5	0~14	0: No function 1: The frequency converter is ready for running 2: The frequency converter is running 3: The frequency converter is running at zero speed 4: Stop due to external fault 5: Converter fault 6: Frequency/velocity arrival signal (FAR)

Parameters	Name	Factory default value	Setting range	Description
				7: Frequency/velocity detection signal (FDT) 8: Output frequency reaching the upper limit 9: Output frequency reaching the lower limit 10: Converter overload alarm 11: Timer overflow signal (relay output when reaching the set time of Fb.13) 12: Counter detection signal (relay output when the counter value reaches the counter detection value of FB12) 13: Counter reset signal (retain) 14: Retain
F5.08	R close delay	0.0s	0.0~999.9s	Delay from change in relay R state to the change in output
F5.09	R Disconnect delay			
F5.10	Frequency reaches the FAR detection range	5.00Hz	0.00Hz~15.00Hz	When the output frequency is within the positive and negative detection range of the set frequency, the terminal outputs an effective signal (low level).
F5.11	FDT set value	10.00Hz	0.00Hz ~ Upper limit frequency	
F5.12	FDT lagged value	1.00Hz	0.00~30.00Hz	
F5.13	UF/DOWN terminal modification rate	1.00Hz/s	0.10Hz~200.00Hz/s	To set the frequency modification rate at the set frequency of UP/DOWN terminal, that is, the size of the frequency change when the UP/DOWN terminal and COM terminal are short connected for one second.
F5.14	Retain			
F5.15	Input terminal valid logic setting (X1 ~ X5)	0	0~31	Bit0 ~ Bit4 correspond to X1 ~ X5 respectively 0: It means positive logic, that is, the connection between Xi terminal and common terminal is valid, and the disconnection is invalid

Parameters	Name	Factory default value	Setting range	Description
				1: It means negative logic, that is, the connection between Xi terminal and common terminal is invalid, and the disconnection is valid
F5.16	X1 filter coefficient	5	0~9999	It is used to set the sensitivity of the input terminal. If the digital input terminal is susceptible to interference and causes misaction, this parameter value can be increased to enhance the anti-interference ability, but it will lead to poor sensitivity of the input terminal if the value is too large. 1: It represents 2MS scan time unit
F5.17	X2 filter coefficient	5	0~9999	
F5.18	X3 filter coefficient	5	0~9999	
F5.19	X4 filter coefficient	5	0~9999	
F5.20	X5 filter coefficient	5	0~9999	
Group F6 - Analog input and output functions				
F6.00	AVI input lower limit voltage	0%	0.00~100.0%	To set AVI lower limit voltage
F6.01	AVI input upper limit voltage	100.0%	0.00~100.0%	To set AVI upper limit voltage
F6.02	Corresponding setting of AVI lower limit	0.0%	-100.0%~100.0%	To set the corresponding setting of AVI lower limit, which corresponds to the percentage of the maximum frequency.
F6.03	Corresponding setting of AVI upper limit	100.0%	-100.0%~100.0%	To set the corresponding setting of AVI upper limit, which corresponds to the percentage of the maximum frequency.
F6.04	ACI input lower limit current	0.0%	0.00~100.0%	To set ACI input lower limit current
F6.05	ACI input upper limit current	100.0%	0.00~100.0%	To set ACI input upper limit current
F6.06	Corresponding setting of ACI lower limit	0.0%	-100.0%~100.0%	To set the corresponding setting of ACI lower limit, which corresponds to the percentage of the maximum frequency.
F6.07	Corresponding	100.0%	-100.0%~	To set the corresponding setting of ACI

Parameter s	Name	Factory default value	Setting range	Description
	setting of ACI upper limit		100.0%	upper limit, which corresponds to the percentage of the maximum frequency.
F6.08	Analog input signal filtering time constant	0.1s	0.1 ~ 5.0s	This parameter is used to filter the input signals of AVI, ACI and panel potentiometer to eliminate the influence of interference.
F6.09	Analog input anti-vibration deviation limit	0	0.00 ~ 100.0%	When the analog input signal fluctuates frequently around a given value, this parameter can be set to suppress the frequency fluctuation caused by such signal fluctuation.
F6.10	AO analog output terminal function selection	0	0 ~ 5	0: Output frequency, 0 ~ Maximum frequency 1: Set frequency, 0 ~ Maximum frequency 2: Output current, 0 ~ 2 times rated current 3: Output voltage, 0 ~ 2 times rated voltage 4: AVI, 0 ~ 10V 5: ACI, 0 ~ 20mA
F6.11	AO functional lower limit	0.0	0.0 ~ 100.0%	To set the functional upper/lower limit of AO selection
F6.12	AO functional upper limit	100.0%		
F6.13	AO output lower limit	0.0		To set AO output upper/lower limit
F6.14	AO output upper limit	100.0%		
Group F7 - Program running parameters (PLC)				
F7.00	Multi-speed frequency 1	5.00Hz	Lower limit frequency ~ upper limit frequency	To set speed 1 frequency
F7.01	Multi-speed frequency 2	10.00Hz	Lower limit frequency ~ upper limit frequency	To set speed 2 frequency

Parameter s	Name	Factory default value	Setting range	Description
F7.02	Multi-speed frequency 3	15.00Hz	Lower limit frequency ~ upper limit frequency	To set speed 3 frequency
F7.03	Multi-speed frequency 4	20.00Hz	Lower limit frequency ~ upper limit frequency	To set speed 4 frequency
F7.04	Multi-speed frequency 5	25.00Hz	Lower limit frequency ~ upper limit frequency	To set speed 5 frequency
F7.05	Multi-speed frequency 6	37.50Hz	Lower limit frequency ~ upper limit frequency	To set speed 6 frequency
F7.06	Multi-speed frequency 7	50.00Hz	Lower limit frequency ~ upper limit frequency	To set speed 7 frequency
F7.07	Programmable running control (simple PLC running)	0	0~2	0: Single cycle 1: Continuous cycle 2: Maintain the final value after single cycle
F7.08	Stop memory selection	0	0~1	0: Stop without memory 1: Stop with memory
F7.09	Power off memory selection	0	0~1	0: power off without memory 1: power off with memory
F7.10	T1 running time	10.0s	0.0~999.9s	To set speed 1 running time
F7.11	T2 running time	10.0s	0.0~999.9s	To set speed 2 running time
F7.12	T3 running time	10.0s	0.0~999.9s	To set speed 3 running time
F7.13	T4 running time	10.0s	0.0~999.9s	To set speed 4 running time
F7.14	T5 running	10.0s	0.0~999.9s	To set speed 5 running time

Parameter s	Name	Factory default value	Setting range	Description
	time			
F7.15	T6 running time	10.0s	0.0~999.9s	To set speed 6 running time
F7.16	T7 running time	10.0s	0.0~999.9s	To set speed 7 running time
F7.17	T1 running mode	0	0~3	0: Forward running, select acceleration time 1 1: Forward running, select acceleration time 2 2: Reverse running, select acceleration time 1 3: Reverse running, select acceleration time 2
F7.18	T2 running mode	0		
F7.19	T3 running mode	0		
F7.20	T4 running mode	0		
F7.21	T5 running mode	0		
F7.22	T6 running mode	0		
F7.23	T7 running mode	0		
F7.24	Current running phase (retain)			
F7.25	Current running time (retain)			
F7.26	Multi-speed is in priority	1	0~1	0: No priority 1: Multi-speed is in priority, priority level is lower than jog
Group F8 - PID parameters				
F8.00	PID control characteristics	0	0~1	0: Positive effect 1: Negative effect
F8.01	PID given quantity selection	0	0~3	0: digit setting 1: keyboard potentiometer setting 2: AVI input 3: ACI input
F8.02	PID feedback	0	0~1	0: AVI input

Parameter s	Name	Factory default value	Setting range	Description
	quantity selection			1: ACI input
F8.03	PID digit setting	3.0	PID range lower limit ~ PID range upper limit	The given value when PID given source is digit setting
F8.04	PID command acceleration/de celeration time	0.0	0.00~ 100.0s	
F8.05	PID bias setting	0.0	0~100.0%	
F8.06	PID bias holding time	0.0	0~6000.0s	
F8.07	Upper limit of PID bias	100.0	0~100.0%	
F8.08	Lower limit of PID bias	0.0	00.0% ~ 100.0% (Maximum frequency)	
F8.09	Proportional gain	25.00	0.00~60000	
F8.10	Integral time	1.0	0: No integral 0.1~100.0s	
F8.11	Derivative time	0.00	0.00: No derivative 0.00~10.00s	
F8.12	PID output upper limit	100.0	0.0~100.0%	
F8.13	PID output lower limit	0.0	0.0~100.0%	
F8.14	PID output filtering time	0.00	0.00~10.00s	
F8.15	Feedback fault action selection	2	0~4	0: Run at upper limit frequency 1: Run at lower limit frequency 2: Run at digit set frequency 3: Stop in deceleration mode

Parameter s	Name	Factory default value	Setting range	Description
				4: Stop in free mode
F8.16	Loss detection value	0.0	0.0~100.0%	
F8.17	Loss detection time	1.0	0.0~100.0s	
F8.18	Overvalue detection value	100.0	0.0~100.0%	
F8.19	Overvalue detection time	1.0	0.0~100.0s	
F8.20	PID sleep control	0	0~2	0: No sleep function 1: Internal wake-up 2: External input terminal control
F8.21	Sleep shutdown mode	0	0~1	0: Stop in deceleration mode 1: Stop in free mode
F8.22	Sleep frequency	0.00	0.00 Hz ~ Maximum frequency	
F8.23	Sleep pressure	95.0%	F8.25 ~100.0%	
F8.24	Sleep delay time	30.0	0.0~6000.0s	
F8.25	Wake-up pressure	80.0%	0.0%~F8.23	
F8.26	Wake-up delay time	3.0	0.0~60.0s	
F8.27	PID range lower limit	0.0	-3276.8~ 3276.8	Since the display screen has 4 digital tubes, the number of digits displayed may not be consistent with the actual value, but it does not affect the final set value.
F8.28	PID range upper limit	10.0	-3276.8~ 3276.8	Since the display screen has 4 digital tubes, the number of digits displayed may not be consistent with the actual value, but it does not affect the final set value.

Parameters	Name	Factory default value	Setting range	Description
F8.29	Number of decimal points of the range	1	0~3	0: Display no decimal point 1: Display one decimal point 2: Display two decimal points 3: Display three decimal points This parameter is only used to control the decimal point display of F8.03, F8.25, F8.26, d0-11 and d0-12.
F8.30	Water shortage detection frequency	48.00Hz	0.00 Hz ~ Maximum frequency	
F8.31	Water shortage detection pressure	0.0	0.0~F8.28	
F8.32	Water shortage detection time	60.0s	0~6500.0s	
F8.33	Water shortage restart time	600.0s	0~6500.0s	
F8.34	Number of restarts due to water shortage	6	9999	
F8.35	Retain			
F8.36	Photovoltaic pump running mode	0	0~2	0: Disable 1: Photovoltaic pump running mode 1 2: Photovoltaic pump running mode 2
F8.37	MPPT low point working voltage	Based on the model	0 ~ MPPT high point working voltage	If the bus voltage (d-03) is higher than the set value of MPPT high point working voltage (F8.38), run at the maximum frequency; If it is lower than the set value of MPPT high point working voltage (F8.38), run at the frequency obtained from (bus voltage /MPPT high point working voltage) * maximum frequency; If the bus voltage reaches the MPPT low point working voltage (F8.37), run at the running frequency for water output (F8.40).
F8.38	MPPT high point working voltage	Based on the model	MPPT low point working voltage ~ 1,000V	
F8.39	Water shortage fault shielding	0	0~1	0: No shielding 1: Shielding

Parameters	Name	Factory default value	Setting range	Description
F8.40	Undervoltage restart enabling	0	0~1	0: Disable 1: Enable
F8.41	Undervoltage restart delay	10.0s	0.0s~360.0s	The delay time is calculated from the beginning of undervoltage
F8.42	Self-start when power on	0	0~1	0: Disable 1: Enable
F8.43	Proportion of the water shortage detection current in the no-load current of the photovoltaic pump	0.0	0.0~300.0%	If the frequency converter operates above the minimum running frequency for water output (F8.40) and the output current is less than the no-load current of the motor (F9.11)* the proportion of the water shortage detection current in the no-load current of the photovoltaic pump (F8.39), the frequency converter will report the water shortage fault ELT after the water shortage detection time of the photovoltaic pump (F8.41).
F8.44	Minimum running frequency for water output of the photovoltaic pump	0.00	0~99.99Hz	
F8.45	Water shortage detection time of the photovoltaic pump	0.0	0~250.0s	
F8.46	Swing frequency control	0	0~1	0: Disable 1: Enable
F8.47	Swing amplitude control	0	0~1	0: Fixed swing amplitude The reference value of swing amplitude is the maximum output frequency (F0.08). 1: Variable swing amplitude The reference value of swing amplitude is the given channel frequency.
F8.48	Starting mode selection after	0	0~1	0: Start according to the memory before stop

Parameter s	Name	Factory default value	Setting range	Description
	swing frequency stop			1: Restart
F8.49	Swing frequency amplitude value	0.0%	0.0%~100.0%	The swing frequency amplitude value is a percentage relative to the maximum output frequency (F0.08).
F8.50	Hopping frequency	0.0%	0.0%~50.0%	This function code refers to the amplitude of rapid decline after the frequency reaches the upper limit of the frequency in the process of frequency swing, and it also refers to the amplitude of rapid rise after the frequency reaches the lower limit of the frequency swing. This value is a percentage relative to the swing frequency amplitude value (F8.49). If it is set as 0.0%, there is no hopping frequency.
F8.51	Swing frequency rising time	5.0s	0.1s~400.0s	The running time from the lower limit to the upper limit of swing frequency.
F8.52	Swing frequency drop time	5.0s	0.1s~400.0s	The running time from the upper limit to the lower limit of swing frequency.
F8.53	Delay of the lower limit of swing frequency	5.0s	0.1s~999.9s	To set the delay of the lower/upper limit of swing frequency.
F8.54	Delay of the lower limit of swing frequency	5.0s	0.1s~999.9s	
F8.55	Retain			
Group F9 - Motor parameter setting				
F9.00	Rated power	Based on		Motor parameter setting

Parameters	Name	Factory default value	Setting range	Description
		the model		
F9.01	Rated voltage	Based on the model	1~500V	Motor parameter setting
F9.02	Rated current	Based on the model	0.01 ~ 99.99A	
F9.03	Rated rotation speed	Based on the model	0 ~ 60000rpm	
F9.04	Rated frequency	50.0Hz	1.0 ~ 400.00Hz	
F9.05	Parameter identification	0	0~1	0: Disable parameter identification; 1: Enable static identification of parameters, automatically set to 0 at the end of identification;
F9.06	Stator resistance	Based on the model	0.001 ~ 65.535Ω	For different models, there are corresponding default values, and parameter identification will automatically change the value;
F9.07 ~ F9.09	Rotor resistance, leakage inductance, mutual inductance, etc	Based on the model		For different models, there are corresponding default values, and parameter identification will automatically change the value;
F9.11	No-load current	Based on the model	0.01 ~	To set no-load current of motor; For different models, there are corresponding default values, and parameter identification will automatically change the value;
Group FA - Protection parameter setting				
FA.00	Overload protection	00	0000~9999	Units digit: Enable motor overload Tens digit: Enable converter overload warning (1: terminal function output), enable converter overload warning: 2: terminal function output, outage report
FA.01	Motor overload protection factor	100%	30% ~ 110%	The motor overload protection factor is the percentage of the rated current value of the motor to the rated output current value of the frequency

Parameter s	Name	Factory default value	Setting range	Description
				converter.
FA.02	Undervoltage protection level	180/360V	150-280 300~480V	This function code specifies the minimum allowable DC bus voltage when the converter is working normally.
FA.03	Overvoltage stall enable	1	0~1	0: Disable 1: Enable
FA.04	Overvoltage limit level	375/720V	350-380 660~790V	The overvoltage limit level defines the operating voltage for overvoltage stall protection
FA.05	Current limiting level	150%	30%~ 200%	The current limiting level defines the threshold of current for the automatic limiting operation, and its set value is a percentage relative to the rated current of the frequency converter.
FA.06	Frequency drop rate during current limiting	0	0~ 99.99Hz/s	
FA.07	Selection of current limiting action	0	0~2	0: Void 1: Acceleration/deceleration is effective, and constant speed is ineffective 2: Acceleration/deceleration is effective, and constant speed is effective
FA.08	Converter overload alarm level	120%	50~150%	It refers to the threshold of current for converter overload alarm action, and its set value is the percentage relative to the rated current of the converter.
FA.09	Converter overload alarm delay	5.0s	0.0~15.0s	It refers to the delay time from the moment that the output current of the frequency converter becomes continuously greater than the overload alarm level (FA.08) to the moment that the overload alarm signal is sent.
FA.10	Oscillation suppression coefficient	30	0~200	Generally, when motor oscillation occurs, the oscillation suppression coefficient should be increased.
FA.11	Amplitude	20	0~1000	To set the maximum amount of

Parameter s	Name	Factory default value	Setting range	Description
	suppression coefficient			adjustment for oscillation suppression.
FA.12	Oscillation suppression lower limit frequency	5.00Hz	0.0 ~ Oscillation suppression upper limit frequency (200.00Hz)	Oscillation suppression is ineffective when it is below such frequency.
FA.13	Oscillation suppression upper limit frequency	50.00Hz	Oscillation suppression lower limit frequency (0) ~ 200.00Hz	Oscillation suppression is ineffective when it is above such frequency.
FA.14	Retain			
FA.15	Retain			
FA.16	Number of automatic fault resets	0	0~10	When the reset number is set to 0, the automatic reset function is disabled except for manual reset. 10 means that the reset number is not limited.
FA.17	Automatic fault reset interval time	3.0s	0.5~25.0s	To set the automatic fault reset interval time
FA.18	VF overcurrent/ove rvoltage suppression enable	3	0~3	0: no operation 1: Enable overcurrent suppression 2: Enable overvoltage suppression 3: Enable overcurrent/overvoltage suppression
FA.19	VF overcurrent suppression K_p	20	0~100	
FA.20	Current compensation factor of VF multiple speed overcurrent stall action	50	50~200	
FA.21	VF overvoltage suppression K_p	60	0~100	

Parameter s	Name	Factory default value	Setting range	Description
FA.22	Maximum frequency of VF overvoltage stall rise	5	0~50	
FA.23	VF overvoltage stall voltage regulation Kp	80	0~100	
FA.24	Powerdown and undervoltage stop mode	0	0~1	0: Report undervoltage fault, and stop in free mode; 1: Not report undervoltage fault, and stop according to the set stop mode (F3.05).
FA.25	Retain			
FA.26	Output phase loss	1	0~1	0: Disable output phase-loss protection 1: Enable output phase-loss protection
FA.27	DC braking voltage	220V:370 380V:660	Based on model 350~790	

Group Fb - Display and special parameter setting

Fb.00	Operation monitoring parameters	0	0~15	Default display items of the main monitoring interface. The corresponding numbers are Group d parameters.
Fb.01	Stop monitoring parameters	1	0~15	Default display items of the main monitoring interface. The corresponding numbers are Group d parameters.
Fb.02	Motor rotation speed display factor	1.00	0.01~99.99	It is used to correct the display error of the tachometer scale, and has no impact on the actual speed.
Fb.03	Current fault	0	0~9999	Current fault code
Fb.04	Previous fault	0	0~9999	Previous fault code
Fb.05	Fault before the previous fault	0	0~9999	Code of fault before the previous fault
Fb.06	Fault voltage	0	0~9999	Bus voltage at the time of fault
Fb.07	Fault current	0	0~999.9	Bus current at the time of fault

Parameters	Name	Factory default value	Setting range	Description
Fb.08	Fault setting frequency	0	0~300.0	The set frequency at the time of fault
Fb.09	Fault running frequency	0	0~300.0	Running frequency at the time of fault
Fb.10	Counting and timing mode	103	000~303	Units digit: Treatment after reaching the count, 0: single-cycle counting, stop output, 1: single-cycle counting, continue output, 2: cycle counting, stop output 3: cycle counting, continue output. Tens digit: Retain Hundreds digit: Treatment after reaching the time, 0: single-cycle timing, stop output, 1: single-cycle timing, continue output, 2: cycle timing, stop output 3: cycle timing, continue output. Thousands digit: Retain
Fb.11	Counter reset value setting	1	0~9999	To set the counter reset value
Fb.12	Counter detection value setting	1	0~9999	To set the counter detection value
Fb.13	Time setting	0	0~9999s	To set the time
Fb.14	Retain			
Fb.15	Retain			
Fb.16	Retain			
Fb.17	Retain			
Fb.18	Retain			
Fb.19	Retain			
Fb.20	Software upgrade date (year)			
Fb.21	Software upgrade date (day/month)			
Fb.22	Display	1.00		

Parameter s	Name	Factory default value	Setting range	Description
	software version			
Fb.23	Product series	321		
Fb.24	Auxiliary display of stop and running (dual display only)	4	0~15	Default display items of the main monitoring interface. The corresponding numbers are Group d parameters.
Group FP - Factory parameter setting				
FP.00	Factory password		1~9999	Special password for system settings

Group d - Monitoring parameters			
Parameters	Name	Range	Smallest unit
d-00	Output frequency (Hz)	0.00~400.00Hz	0.01Hz
d-01	Set frequency (Hz)	0.00~400.00Hz	0.01Hz
d-02	Output voltage (V)	0~999V	1V
d-03	Bus voltage (V)	0~999V	1V
d-04	Output power (A)	0.0~999.9A	0.1A
d-05	Motor rotation speed (Krpm)	0~60000Krpm	1Krpm
d-06	Analog input AVI (V)	0.00~10.00V	0.01V
d-07	Analog input ACI (mA)	0.00~20.00mA	0.01mA
d-08	Analog output AO (V)	0.00~10.00V	0.01V
d-09	Input terminal state (Relay, X1-X5)	0~3FH	1H
d-10	Temperature	0~9999	0.1°C
d-11	PID given value	PID range lower limit ~ PID range upper limit	1
d-12	PID feedback value	PID range lower limit ~ PID range upper limit	1
d-13	Current counting value	0~9999	1s

d-14	Current timing value (s)	0~9999s	1s
d-15	Accumulative running time of frequency converter (h)	0~9999h	1h
d-16	Accumulative power-on time of frequency converter (h)	0~9999h	1h
d-17	U-phase current sampling bias value	0~4095	
d-18	V-phase current sampling bias value	0~4095	
d-19	W-phase current sampling bias value	0~4095	
d-20	Retain		
d-21	Retain		
d-22	Retain		

Fault code			
Fault code	Name	Possible causes	Countermeasures
OU1 (1)	Overvoltage in accelerated running	Abnormal input voltage	Check the input power supply
		Restart the motor in rotation	Change the setting to start after DC braking
OU2 (2)	Overvoltage in decelerated running	Deceleration time is too short	Extend deceleration time
		Abnormal input voltage	Check the input power supply
OU3 (3)	Overvoltage in constant speed running	Abnormal input voltage	Check the input power supply
OCC1 (4)	Hardware acceleration overcurrent	Acceleration time is too short	Extend acceleration time
		The power of frequency converter is small	Choose a frequency converter with a large power
		Improper setting of V/F curve or torque lift	Adjust the V/F curve or torque lift
		The IGBT module is	Contact the supplier for help

		damaged	
OCC2 (5)	Hardware deceleration overcurrent	Deceleration time is too short	Extend deceleration time
		The power of frequency converter is small	Choose a frequency converter with a large power
		The IGBT module is damaged	Contact the supplier for help
OCC3 (6)	Hardware constant speed overcurrent	The grid voltage is low	Check the input power supply
		The load is mutated or abnormal	Check the load or reduce load mutation
		The power of frequency converter is small	Choose a frequency converter with a large power
		The IGBT module is damaged	Contact the supplier for help
OCS1 (7)	Overcurrent in software accelerated running	Acceleration time is too short	Extend acceleration time
		The power of frequency converter is small	Choose a frequency converter with a large power
		Improper setting of V/F curve or torque lift	Adjust the V/F curve or torque lift
OCS2 (8)	Overcurrent in software decelerated running	Deceleration time is too short	Extend deceleration time
		The power of frequency converter is small	Choose a frequency converter with a large power
OCS3 (9)	Overcurrent in software constant speed running	The grid voltage is low	Check the input power supply
		The load is mutated or abnormal	Check the load or reduce load mutation
		The power of frequency converter is small	Choose a frequency converter with a large power
EFO (10)	Power module fault	Converter output short circuited or grounded	Check the motor wiring
		Converter transient overcurrent	See overcurrent countermeasures
		The control board is abnormal or seriously disturbed	Contact the factory for help

		The power device is damaged	Contact the factory for help
OU (11)	Overvoltage during shutdown	Abnormal input voltage	Check the voltage of power supply
OU3 (12)	Constant speed overvoltage	The voltage of power supply is too high	Check whether the voltage of power supply is too high
		The load is mutated or abnormal	Check the load or reduce load mutation
LU (13)	Undervoltage	Abnormal input voltage	Check the voltage of power supply
		Relay failed to pull in	Contact the factory for help
OH (14)	Over-temperature	The ambient temperature is too high	Improve the environment
		The space around the frequency converter is small	Adjust the space
		The air duct is blocked	Clean and clear the air duct
		The cooling fan is not running	Check the power supply of the fan and the fan itself
OL1 (15)	Converter overload	Improper setting of V/F curve or torque lift	Adjust the V/F curve and torque lift
		The grid voltage is too low	Check the grid voltage
		Acceleration time is too short	Extend acceleration time
		The motor is overloaded	Choose a more powerful frequency converter
OL2 (16)	Motor overload	Improper setting of V/F curve or torque lift	Adjust the V/F curve and torque lift
		The grid voltage is too low	Check the grid voltage
		Locked rotor or load mutation is too large	Check the load
		Motor overload protection factor is not set correctly	Set the motor overload protection factor correctly
BIAS (17)	Current bias error	Hardware failure	Contact the supplier for help
CBC (18)	Cycle-by-Cycle current limiting fault	The power of frequency converter is small	Choose a frequency converter with a large power
		The load is mutated or	Check the load or reduce

		abnormal	load mutation
FBL (19)	Low PID feedback lower limit value	PID feedback line is loose	Check the feedback line
		The feedback quantity is less than the disconnection detection value	Adjust the detection input threshold
FBH (20)	PID feedback exceeds the upper limit	When the PID feedback quantity is greater than the feedback overvalue detection value, and the duration is longer than the PID feedback overvalue detection time, the frequency converter alarms the fault FBH	Check the feedback line
			Adjust the detection input threshold
EEEP (21)	EEPROM reading/writing error	EEPROM fault	Contact the factory for help
CE (22)	Dual CPU communication failure	CPU communication failure	Contact the factory for help
EF (23)	External equipment fault	External device fault input terminal is closed	Disconnect the external device fault input terminal and clear the fault (check the cause)
EPA (24)	Parameter setting failure		
E485 (25)	Communication disconnection		Check whether the communication line is well connected and whether the line sequence is correct.
SFOC (27)	Software overcurrent		Adjust acceleration/deceleration time; Motor parameters do not match, restart parameter identification;
ELH	Water shortage fault		
SPO	Output phase-loss fault	The wiring from the converter to motor is not normal	Troubleshoot wiring problems
		The three-phase output of	Check whether the

		the frequency converter is unbalanced	three-phase winding of the motor is normal
		The driver board is abnormal	Contact the factory for help
		The module is abnormal	Contact the factory for help
Warning code			
EPA1	Parameter setting error	The three-wire function of the converter is not set correctly	Check whether the three-wire system of the converter terminal is set correctly
SLEP	Sleep mode	The frequency converter goes into sleep mode	

Service Delivers Value, Quality Builds Brilliance

To users:

Thank you for using our products. In order to ensure that you get the best after-sales service from our company, please carefully read and follow the following terms.

1. Product warranty coverage

Any fault that occurs under normal use according to the use requirements will be covered by the warranty.

2. Product warranty period

The warranty period of this product is twelve months from the date of delivery. After the warranty period, we will provide a long-term technical support.

3. Circumstances that not covered by the warranty

Any violation of the use requirements and damage due to human causes, natural disasters or flooding water, external damage, bad environment and other reasons, as well as the disassembly, modification and maintenance of the frequency converter without permission, will not be covered by this warranty.

4. Purchase this product from a reseller

If the product is purchased from a distributor or an agent, please contact such distributor or agent in case of any fault.

Please keep this Manual properly in case of need.

ef. No.: XM-H0123

Completed in July 2021